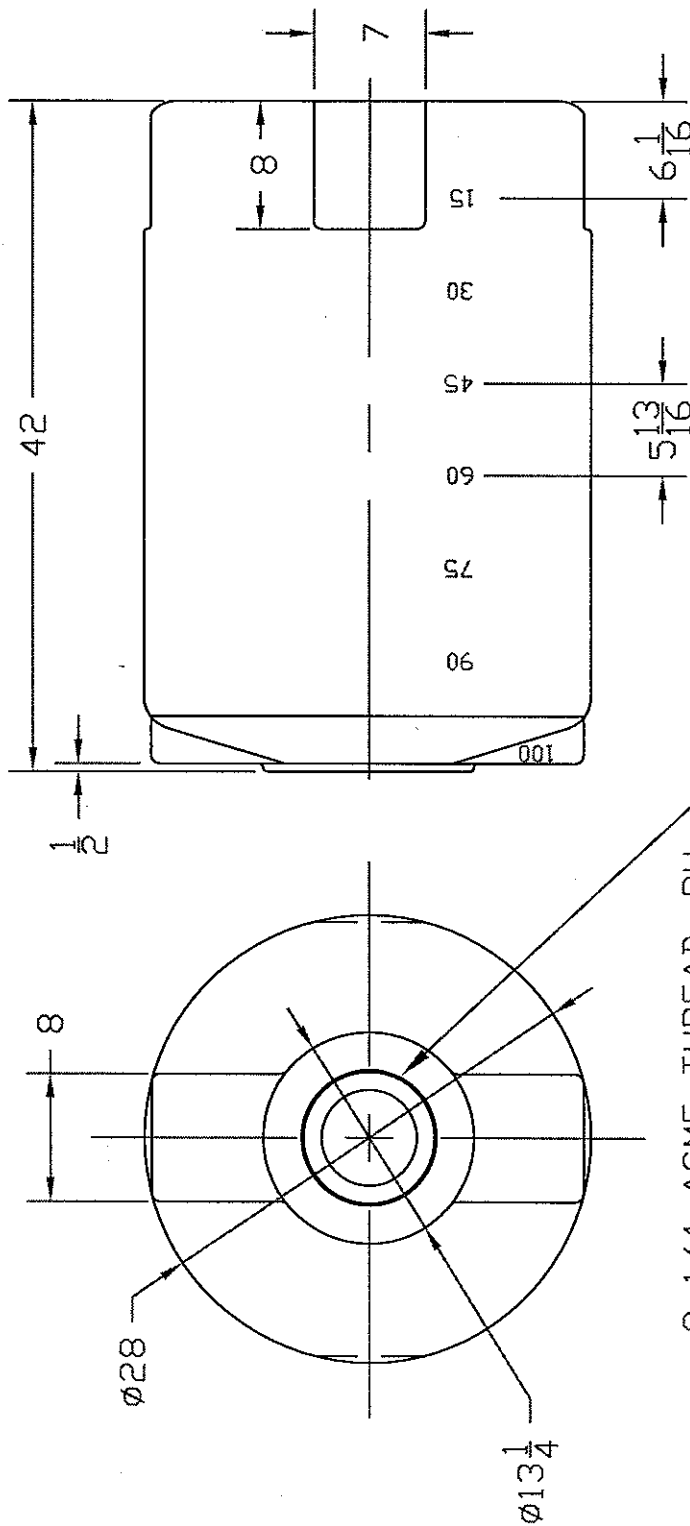


REVISIONS

ZONE	REV	DESCRIPTION	DATE	APPROVED



8 1/4 ACME THREAD, RH

**NORWESCO**  
ST. BONIFACIUS, MN

100 GALLON VERTICAL  
TANK X 28 DIAMETER

JTP 06JUN03

SIZE FSCM NO.

A

DWG NO.

REV

SCALE 1/12

SHEET